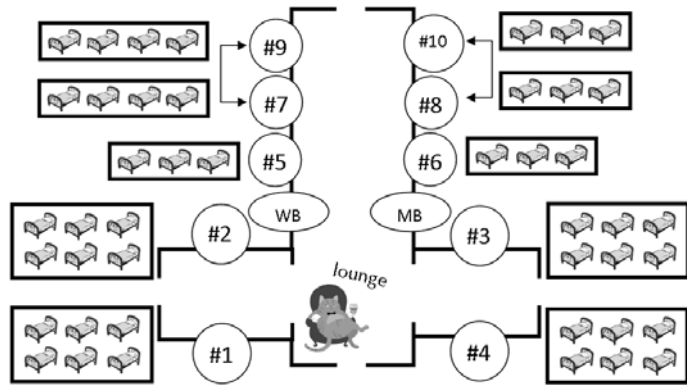


Lodge (sleeps 44)



3. _____
4. _____
5. _____

Room 5 - West Hallway

1. _____
2. _____
3. _____

Room 6 - West Hallway

1. _____
2. _____
3. _____
4. _____

Room 7 - West Hallway (7&9 connected)

1. _____
2. _____
3. _____
4. _____

Room 8 - West Hallway (8&10 connected)

1. _____
2. _____
3. _____

Room 9 - West Hallway

1. _____
2. _____
3. _____
4. _____

Room 10 - West Hallway

1. _____
2. _____
3. _____

Room 1 - South Wing

1. _____
2. _____
3. _____
4. _____
5. _____
6. _____

Room 2 - South Wing

1. _____
2. _____
3. _____
4. _____
5. _____
6. _____

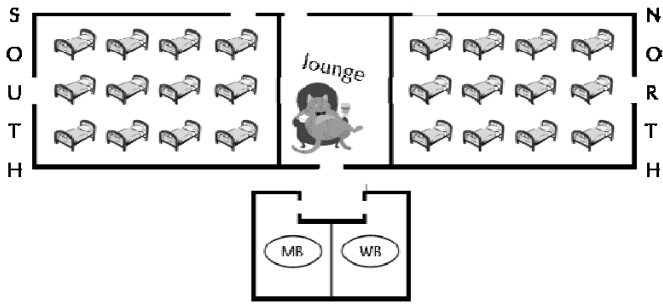
Room 3 - North Wing

1. _____
2. _____
3. _____
4. _____
5. _____
6. _____

Room 4 - North Wing

1. _____
2. _____
3. _____

Annex (sleeps 24)



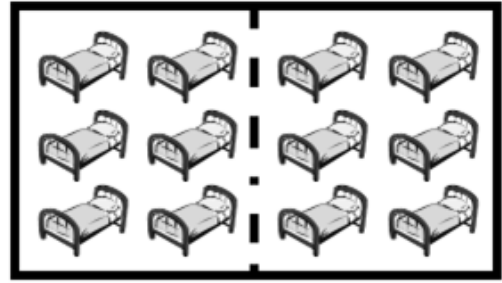
South Wing

1. _____
2. _____
3. _____
4. _____
5. _____
6. _____
7. _____
8. _____
9. _____
10. _____
11. _____
12. _____

North Wing

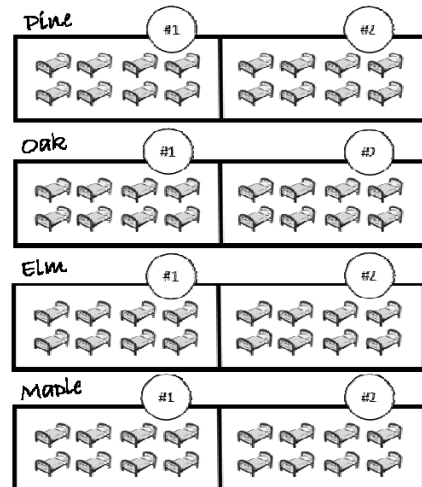
1. _____
2. _____
3. _____
4. _____
5. _____
6. _____
7. _____
8. _____
9. _____
10. _____
11. _____
12. _____

North Shore (sleeps 12)



1. _____
2. _____
3. _____
4. _____
5. _____
6. _____
7. _____
8. _____
9. _____
10. _____
11. _____
12. _____

POEM Cabins (sleep 64, 16 each)



Pine Room 1

1. _____
2. _____
3. _____
4. _____
5. _____
6. _____
7. _____
8. _____

Pine Room 2

1. _____
2. _____
3. _____
4. _____
5. _____
6. _____
7. _____
8. _____

Oak Room 1

1. _____
2. _____
3. _____
4. _____
5. _____
6. _____
7. _____
8. _____

Oak Room 2

1. _____
2. _____
3. _____
4. _____
5. _____
6. _____
7. _____
8. _____

Elm Room 1

1. _____
2. _____
3. _____
4. _____
5. _____
6. _____
7. _____
8. _____

Elm Room 2

1. _____
2. _____
3. _____
4. _____
5. _____
6. _____
7. _____
8. _____

Maple Room 1

1. _____
2. _____
3. _____
4. _____
5. _____
6. _____
7. _____
8. _____

Maple Room 2

1. _____
2. _____
3. _____
4. _____
5. _____
6. _____
7. _____
8. _____